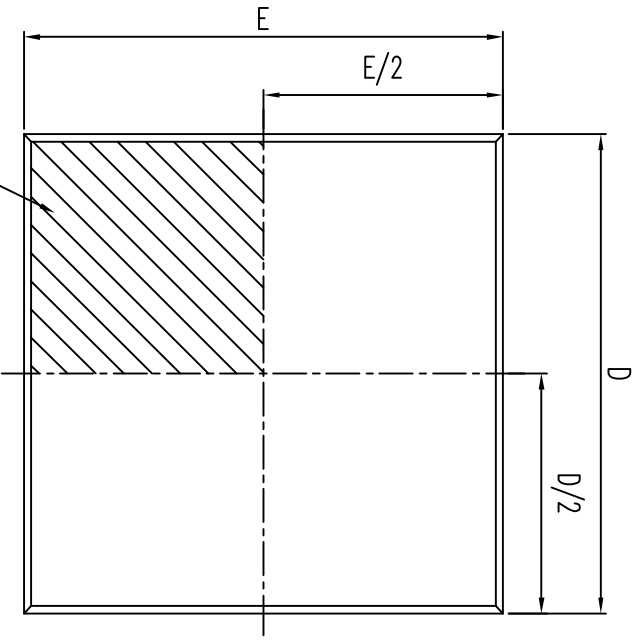
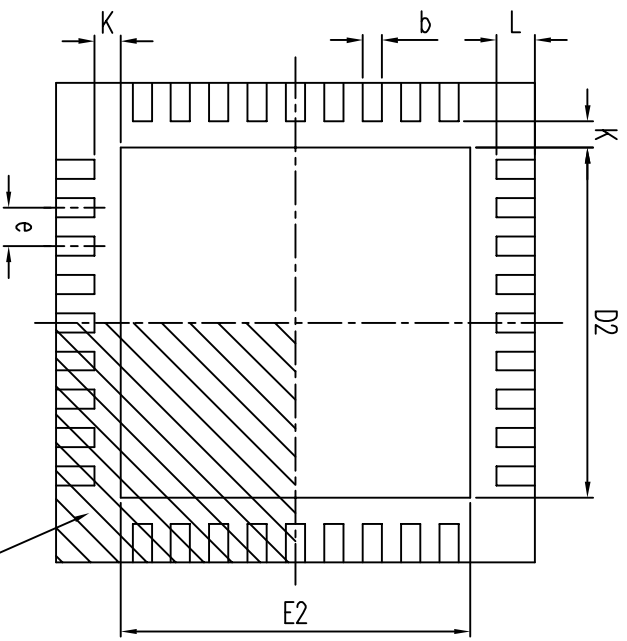


REV.	DESCRIPTION	BY	DATE
ORIG.	DRAWING ISSUE	SANDY CHEN	05.31.2016

TOP VIEW



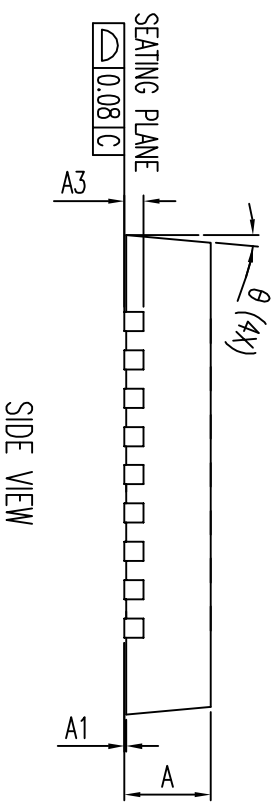
BOTTOM VIEW



SYMBOL	DIMENSION IN MM		
	MIN.	NOM.	MAX.
A	0.80	0.90	1.00
A1	0	0.02	0.05
A3	0.20 REF.		
D	5.00 BASIC		
D2	3.50	3.65	3.80
E	5.00 BASIC		
E2	3.50	3.65	3.80
e	0.40 BASIC		
b	0.15	0.20	0.25
L	0.30	0.40	0.50
K	0.20		
$\theta$	0°		14°
JEDEC	REFERENCE MO-220		

TERMINAL #1 INDEX AREA (D/2 X E/2)

TERMINAL #1 INDEX AREA (D/2 X E/2)



SIDE VIEW

<b>CW1</b> Chant World Technology Inc.		<input type="checkbox"/>	
TITLE VQFN 36L PACKAGE OUTLINE		XXXXXX	ANGULAR ±
BODY SIZE : 5 X 5 MM		XXXXXX	ROUGH-
DESIGNED	SANDY CHEN 05.31.2016	XX	NESS
CHECKED	SANDY CHEN 05.31.2016	XX	SCALE 18 : 1
APPROVED	SANDY CHEN 05.31.2016		QTY
FILE NAME : VQFN36L(5x5x0.85)		DWG. NO.: CW-PS-014A	
A3			